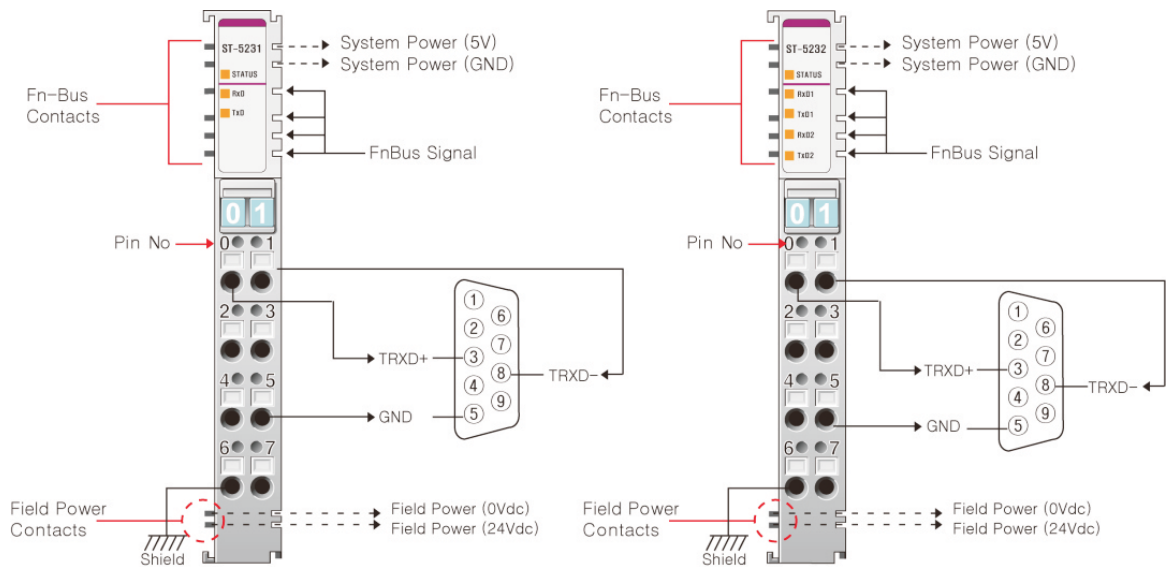


# ST-5231, ST-5232

## Serial Interface, RS485 Communication, 1 Channel (ST-5231) 2 Channels (ST-5232)



Item	ST-5231	ST-5232				
<b>Interface Specification</b>						
Transfer Channels	TxD, RxD, Half duplex					
Transfer Rate	300 ~ 115200					
Data Bit	7 bit, 8 bit					
Parity Bit	None, Odd, Even					
Stop Bit	1 bit, 2 bit					
Flow Control	RTS, CTS	-				
Bit Distortion	<1.6%					
Connection	Spring force of RTB					
Cable Length	1 km twisted pair					
Low Signal Voltage	-					
High Signal Voltage	-					
Isolation	Isolation Voltage : 1000Vrms/Vac					
RxD Buffer	1024 Byte					
TxD Buffer	256 Byte					
Line Impedance	120 Ω					
Input Image Size	6 Byte	12 Byte				
Output Image Size	6 Byte	12 Byte				
<b>General Specification</b>						
Power Dissipation (System)	110mA max @5.0Vdc	155mA max @5.0Vdc				
Operating Temperature	-20℃ ~ 55℃					
Non-Operation Temperature	-40℃ ~ 85℃					
Relative Humidity	5% ~ 95% Non-condensing					
Operating Altitude	2000m					
Shock Operating	30g					
Shock Non-Operating	50g					
Vibration	2g@10-500Hz					
Module Size	12mm x 99mm x 70mm					
Environment Condition	Refer to "Environment Specification"(page : 1-191)					
Pin No.	Description	Description				
0	RS 485 +	RS 485 + Channel #0				
1	RS 485 -	RS 485 - Channel #0				
2	No Connected	RS 485 + Channel #1				
3	No Connected	RS 485 - Channel #1				
4	GND	GND				
5	GND	GND				
6	SHIELD	SHIELD				
7	SHIELD	SHIELD				
	LED NAME	COLOR	STATUS	LED NAME	COLOR	STATUS
	RxD	Green	Received Data	RxD 1	Green	Received Data #0
	TxD	Green	Transmit Data	TxD 1	Green	Transmit Data#0
	RTS	-	-	RxD 2	Green	Received Data#1
	CTS	-	-	TxD 2	Green	Transmit Data#1